



Leadshine

Datasheet of the Regulated Power Supplies

RPS2410, RPS369, RPS488, RPS4810, RPS608



120/230VAC input, 24V/36V/48V/60V output

Version 1.0

<http://www.Leadshine.com>

<http://www.Leadshineusa.com>

©2013 Leadshine Technology Co., Ltd.

Features

- I Specifically designed to power stepping / servo drives
- I Internal EMI Filter
- I 100% full load burn-in test
- I Output short circuit, over-current and over-voltage protection

Electrical Specifications

Model		RPS2410	RPS369	RPS488	RPS4810	RPS608
Output	DC VOLTAGE	24V	36V	48V	48V	60V
	RATED CURRENT	10A	9.7A	7.3 A	10.4A	8.5A
	PEAK CURRENT	12A	11A	8.5A	12.5A	10.5A
	RATED POWER	240W	350W	350W	500W	500W
	PEAK POWER	300W	400W	400W	600W	600W
	LINE REGULATION	± 0.5%				
	ADJ. RANGE	± 10%				
	RISE TIME	50ms/230VAC at full load				
	HOLD TIME	20ms/230VAC at full load				
	Input	VOLTAGE RANGE	176-265VAC or 85-132VAC, selected by switch			
FREQUENCY RANGE		47-63Hz				
INRUSH CURRENT		40A/30VAC, Cold Start				
LEAKAGE CURRENT		<0.5mA/230VAC				
WITHSTAND VOLTAGE		Vin-Vout: 1500VAC/min, Vin-FG: 1500VAC/min, Vout-FG: 500VAC/min				
Protection	OVER VOLTAGE	N/A	59-66V	71-79V	71-79V	95-105V
		Protection Type: Output shunt down, need to turn off the input to reset.				
	OVER LOAD	110%-130%	110%-130%	110%-130%	110%-130%	110%-130%
		Protection Type: Output shunt down, need to turn off the input to reset.				
Dimension (mm)		199*110*50	215*115*50	215*115*50	261*103*65	261*103*65
Weight		800.4g (28.23oz)	883.5g (31.16oz)	883.5g (31.16oz)	1127g (39.75oz)	1127g (39.75oz)

Operating Environment and Parameters

Cooling	Natural cooling or forced cooling	
Operating Environment	Environment	Avoid dust, oil fog and corrosive gases
	Working Temperature	0°C — 45°C @100%
	Humidity	20 — 90%RH
Storage Temperature	-20°C — 85°C	

Mechanical specification

Unit=mm, 1 inch = 25.4 mm

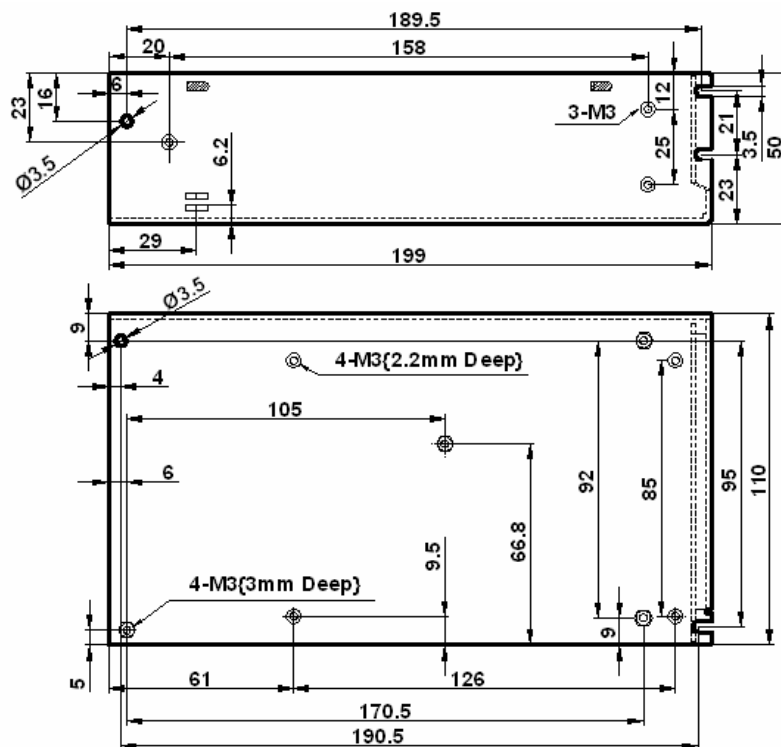


Figure 1: RPS2410 Mechanical Specification

Mechanical specification (Continued)

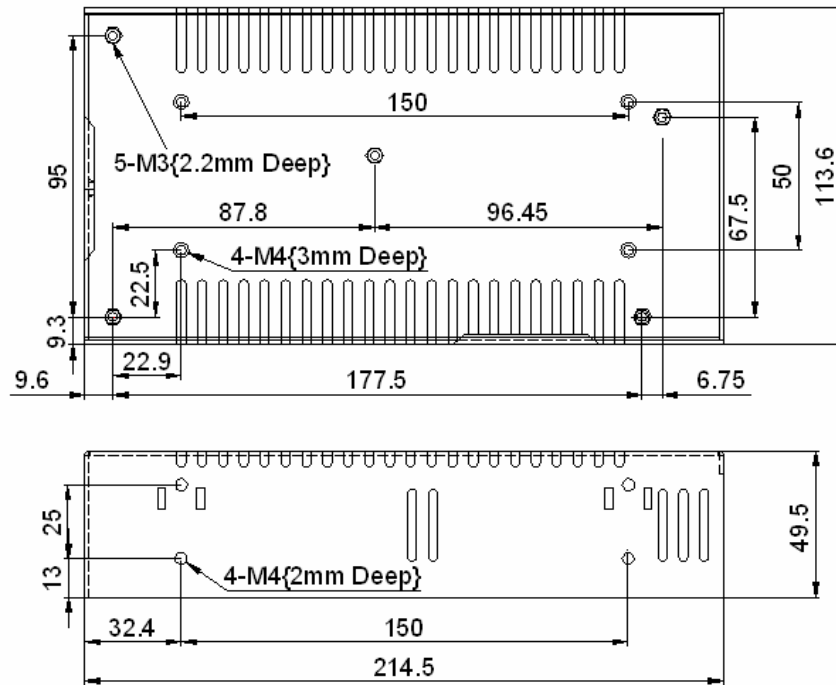


Figure 2: RPS369 or RPS488 Mechanical Specification

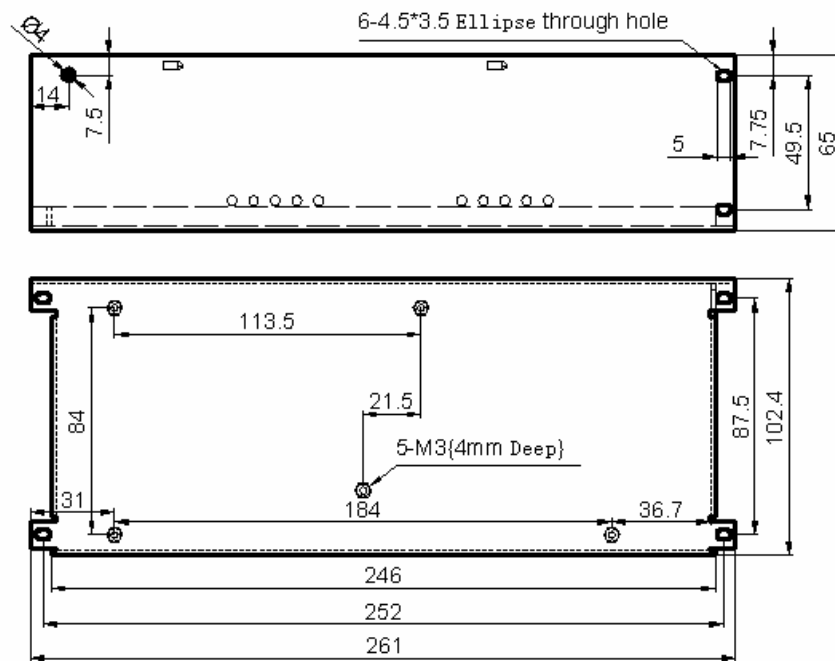
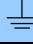


Figure 3: RPS4810 or RPS608 Mechanical Specification

Pin Assignment and Description

Pin	Description
L	AC power input
N	
	Ground terminal. Recommend connect this port to the ground for better safety.
COM	DC output negative
+V	DC output positive

Order Information

Model	Description
RPS2410	240W, 24VDC regulated switching power supply. Input: 85-132VAC or 176-265VAC
RPS369	350W, 36VDC regulated switching power supply. Input: 85-132VAC or 176-265VAC
RPS488	350W, 48VDC regulated switching power supply. Input: 85-132VAC or 176-265VAC
RPS4810	500W, 48VDC regulated switching power supply. Input: 85-132VAC or 176-265VAC
RPS608	500W, 60VDC regulated switching power supply. Input: 85-132VAC or 176-265VAC