



Regulated DC Power Supplies

240W



SPS2410(-L)

350W



SPS369/SPS488

500W



SPS608(-L)

Features

- n Internal EMI Filter
- n 100% full load burn-in test
- n Output short circuit, over-current and over-voltage protection

Electrical Specifications

Model		SPS2410(-L)	SPS369	SPS488	SPS608(-L)
OUTPUT	DC VOLTAGE	24V	36V	48V	60V
	RATED CURRENT	10A	9.7A	7.3 A	8.5A
	RATED POWER	240W	350W	350W	500W
INPUT	VOLTAGE RANGE	176-265VAC (85-132VAC)	176-265VAC or 85-132VAC, selected by switch		176-265VAC (85-132VAC)
	FREQUENCY RANGE	47-63Hz			
PROTECTION	OVER VOLTAGE	N/A	53-59V	71-79V	100-105V
	OVER LOAD	110%-130%	110%-130%	110%-130%	110%-130%
		Protection Type: For SPS2410(-L), SPS608(-L), output will be shunt down immediately and power supply functions again after tuning the off input. For SPS369 and SPS488 output will drop to 0.5VDC and power supply functions again after fault condition is removed.			
WEIGHT		800.4g(28.23oz)	883.5g(31.16oz)	883.5g(31.16oz)	1127g(39.75oz)

Operating Environment and Parameters

Cooling	Natural cooling or forced cooling	
Operating Environment	Environment	Avoid dust, oil fog and corrosive gases
	Working Temperature	0°C — 45°C @100%
	Humidity	20 — 90%RH
Storage Temperature	-20°C — 85°C	

Mechanical specifications (unit=mm, 1 inch = 25.4 mm)

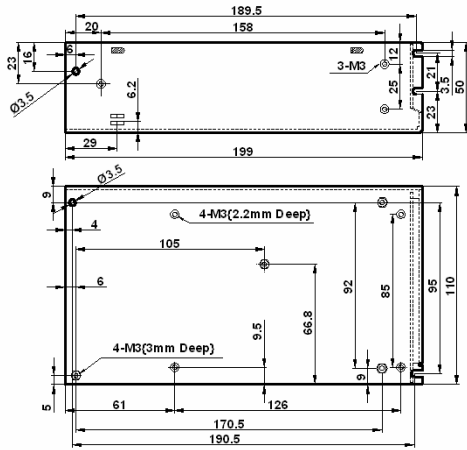


Figure 1: SPS2410(-L) Mechanical Specification

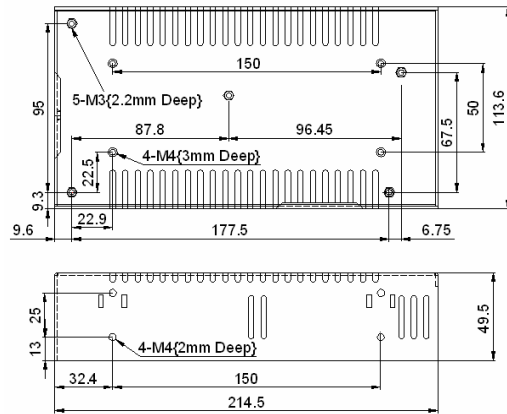


Figure 2: SPS369 and SPS488 Mechanical Specification

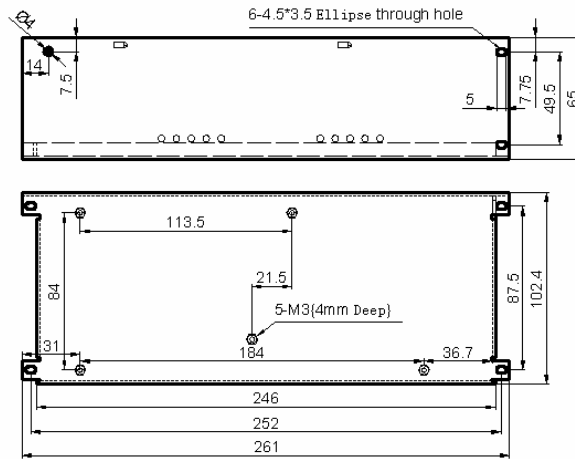
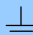


Figure 3: SPS608(-L) Mechanical Specification

Pin Assignment and Description

L	AC power input
N	AC power input
	Ground terminal. Recommend connect this port to the ground for better safety.
COM	DC output negative
+V	DC output positive

Order Information

Model	Description
SPS2410	240W, 24VDC regulated switching power supply. Input:176-265VAC
SPS2410-L	240W, 24VDC regulated switching power supply. Input: 85-132VAC
SPS369	350W, 36VDC regulated switching power supply. Input: 85-132VAC or 176-265VAC
SPS488	350W, 48VDC regulated switching power supply. Input: 85-132VAC or 176-265VAC
SPS608	500W, 60VDC regulated switching power supply. Input:176-265VAC
SPS608-L	500W, 60VDC regulated switching power supply. Input: 85-132VAC